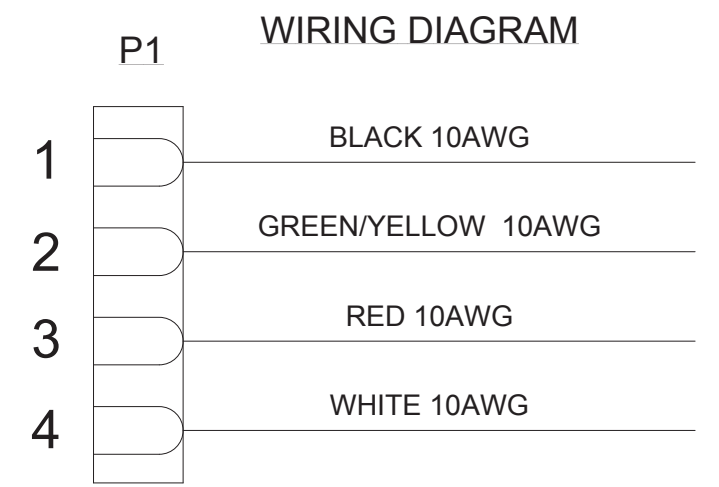
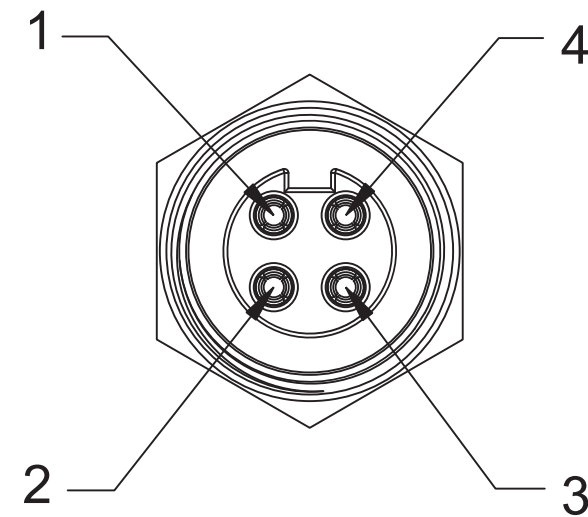
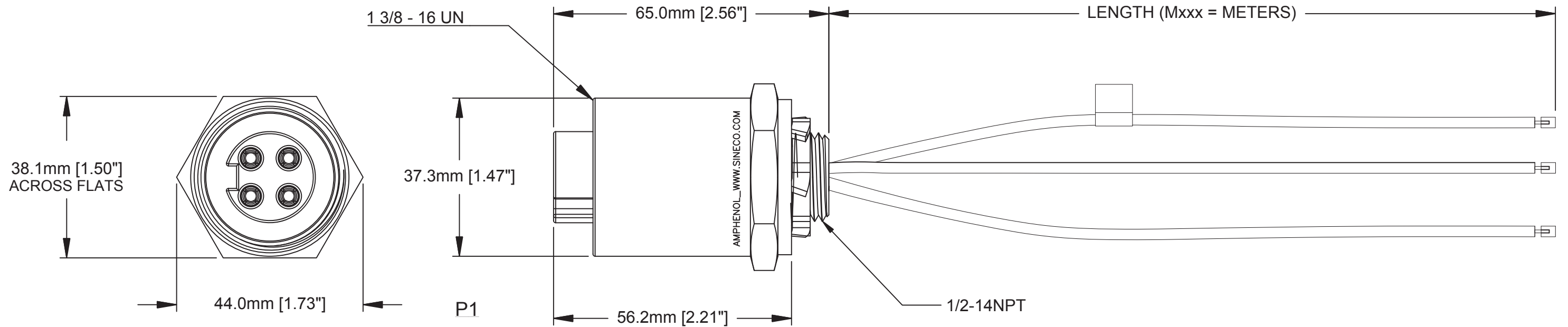


| REVISIONS | | | | | |
|-----------|-----|------------------------------|-----------|-----|------|
| REV | ECO | DESCRIPTION | DATE | BY | APPR |
| A1 | - | TECHNICAL DATA SHEET RELEASE | 12-MAY-14 | KMM | RFC |



TECHNICAL DATA:

- MATERIALS:**
 HOUSING: MACHINED ALUMINUM, ANODIZED
 INSULATION INSERT: THERMOPLASTIC, UL 94/V-0
 CONTACT: GOLD FLASH PLATING OVER COPPER ALLOY
 CONDUCTOR INSULATION: PVC
 NUMBER OF CONDUCTORS: (4) 10AWG
- ELECTRICAL DATA:**
 CURRENT (MAX): 25A
 VOLTAGE (MAX): 600V AC/DC
 INSULATION RESISTANCE (MIN): 5000M OHMS
 DIELECTRIC TEST VOLTAGE: 2200V
- MECHANICAL DATA:**
 KNOCKOUT HOLE SIZE FOR PANEL MOUNT: 22.2mm [.88"]
 TEMPERATURE RANGE: -40°C TO 90°C
 PROTECTION: IP67 (MATED CONDITION)
 MATING CYCLES: >500
 VIBRATION RESISTANCE PER MIL-STD-202 METHOD 204
 THERMAL SHOCK PER MIL-STD-202 METHOD 207
 48 HOUR SALT SPRAY PER MIL-STD-202 METHOD 101
- RoHS COMPLIANT
- UL 2237 LISTED ASSEMBLY
 UL FILE NUMBERS: E339703

Risk of Electrical Shock
 Do Not Disconnect Under Load.
 Risque de chocs électriques
 Ne pas debrancher sous tension.

WARNING

| TOLERANCE | |
|----------------------------|-----------------------------|
| 0-2.99 M = +100.0/-25.0mm | 0-9.99 FT = +4" / -1" |
| 3-8.99 M = +150.0/-25.0mm | 10.00-29.99 FT = +6" / -1" |
| 9-14.99 M = +300.0/-25.0mm | 30.00-49.99 FT = +12" / -1" |
| 15-OVER M = +450.0/-25.0mm | 50 FT-OVER = +18" / -1" |

| QUANTITY | PART NUMBER | DESCRIPTION | ITEM | | | | | | | | |
|--------------------------------------|-------------|--|-----------------------|------|---------|----------|--|-----------|--------------------|-----------|--|
| MATERIALS LIST | | | | | | | | | | | |
| UNLESS OTHERWISE SPECIFIED | | SIGNATURES DATE | | | | | | | | | |
| 1) All dimensions are in metric(mm). | | DRAWN: KMM | 12-MAY-14 | | | | | | | | |
| 2) Tolerances are as follows: | | CHECKED: MRF | 12-MAY-14 | | | | | | | | |
| 1 PL DEC ±0.30 | | ENGINEER: KMM | | | | | | | | | |
| 2 PL DEC ±0.15 | | APPROVAL: RFC | 12-MAY-14 | | | | | | | | |
| 3 PL DEC ±0.08 | | CUSTOMER: | | | | | | | | | |
| 3) Note reference = | | THIS DRAWING IS SUPPLIED FOR INFORMATION ONLY. DESIGN FEATURES, SPECIFICATIONS AND PERFORMANCE DATA SHOWN HEREON ARE THE PROPERTY OF THE AMPHENOL CORPORATION. NO RIGHTS OF REPRODUCTION ARE IMPLIED. ALL DIMENSIONS ARE SUBJECT TO NORMAL MANUFACTURING VARIATIONS. | | | | | | | | | |
| MATERIAL SPECIFICATIONS: | | <p style="text-align: center;">Amphenol</p> <p style="text-align: center;">Sine Systems - www.amphenol-sine.com 44724 Morley Drive Clinton Township, MI 48036</p> | | | | | | | | | |
| PROCESS SPECIFICATIONS: | | M35 PB LITE, 4 PIN, FEMALE RECEPTACLE TRUNK, 10 AWG, 1/2 - 14NPT | | | | | | | | | |
| NEXT ASSY: | | <table border="1"> <tr> <td>SIZE</td> <td>TYPE</td> <td>DWG NO:</td> <td>REVISION</td> </tr> <tr> <td></td> <td>C-</td> <td>P29026-Mxxx</td> <td>A1</td> </tr> </table> | SIZE | TYPE | DWG NO: | REVISION | | C- | P29026-Mxxx | A1 | |
| SIZE | TYPE | DWG NO: | REVISION | | | | | | | | |
| | C- | P29026-Mxxx | A1 | | | | | | | | |
| | | SCALE: FULL | C-P29026 SHEET 1 OF 1 | | | | | | | | |

TITLE: M35 PB LITE, 4 PIN, FEMALE REC., 10AWG, 1/2-14NPT
 DWG NO: C-P29026-Mxxx
 REV: A1
 SH: 1
 OF: 1