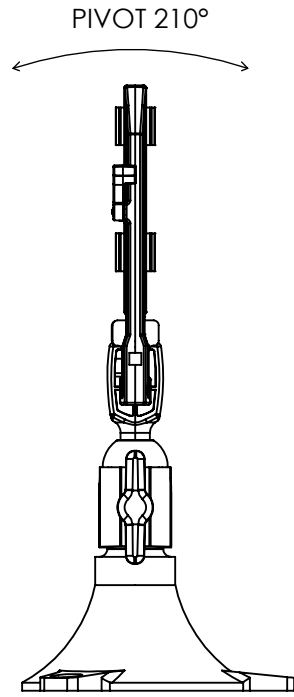
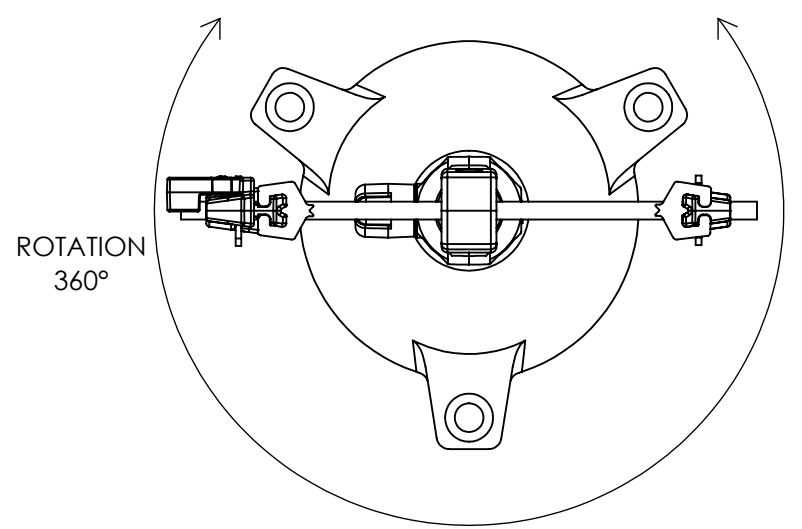


8 7 6 5 4 3 2 1

REVISIONS				
ZONE	REV.	DESCRIPTION	DRAWN/DATE	APPROVED/DATE
	PR1	INITIAL RELEASE OF PRODUCT SPECIFICATIONS	IM 6/21/2017	

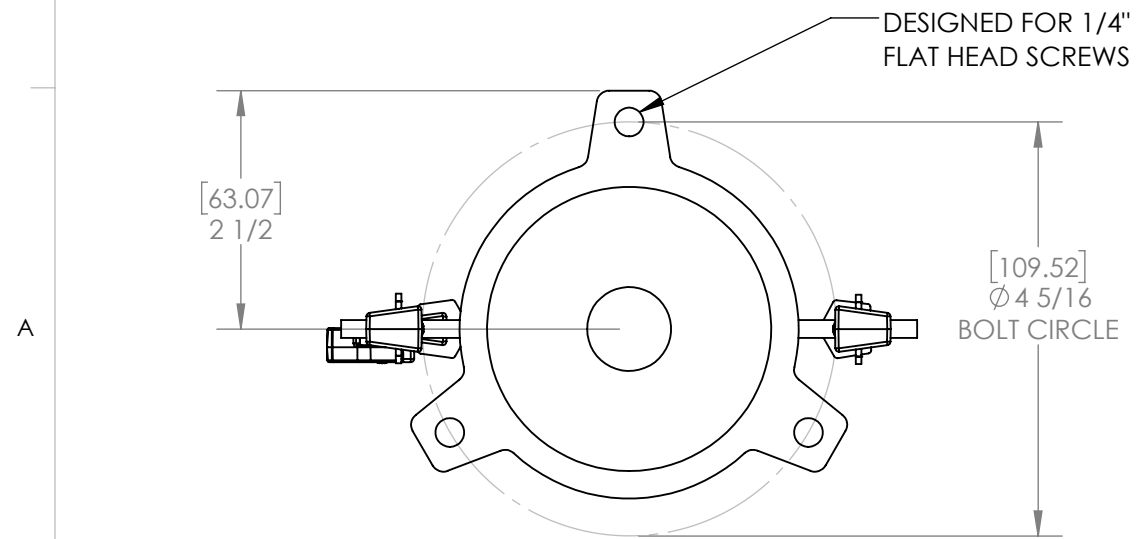
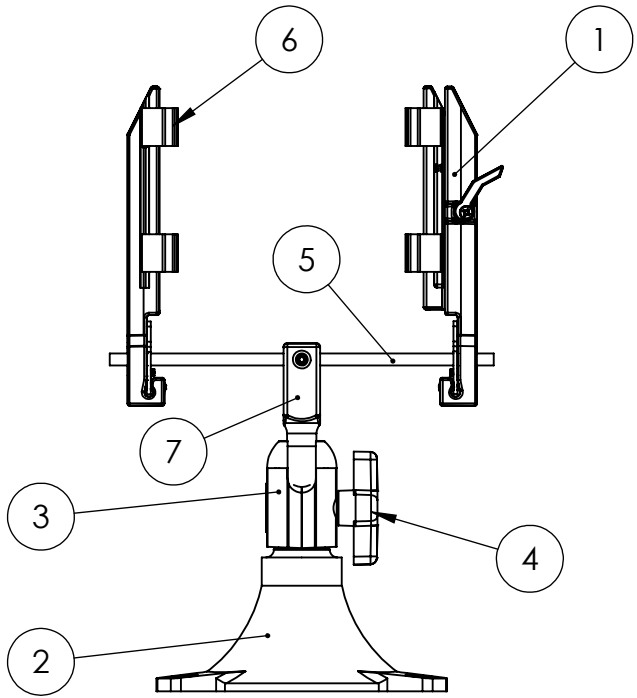
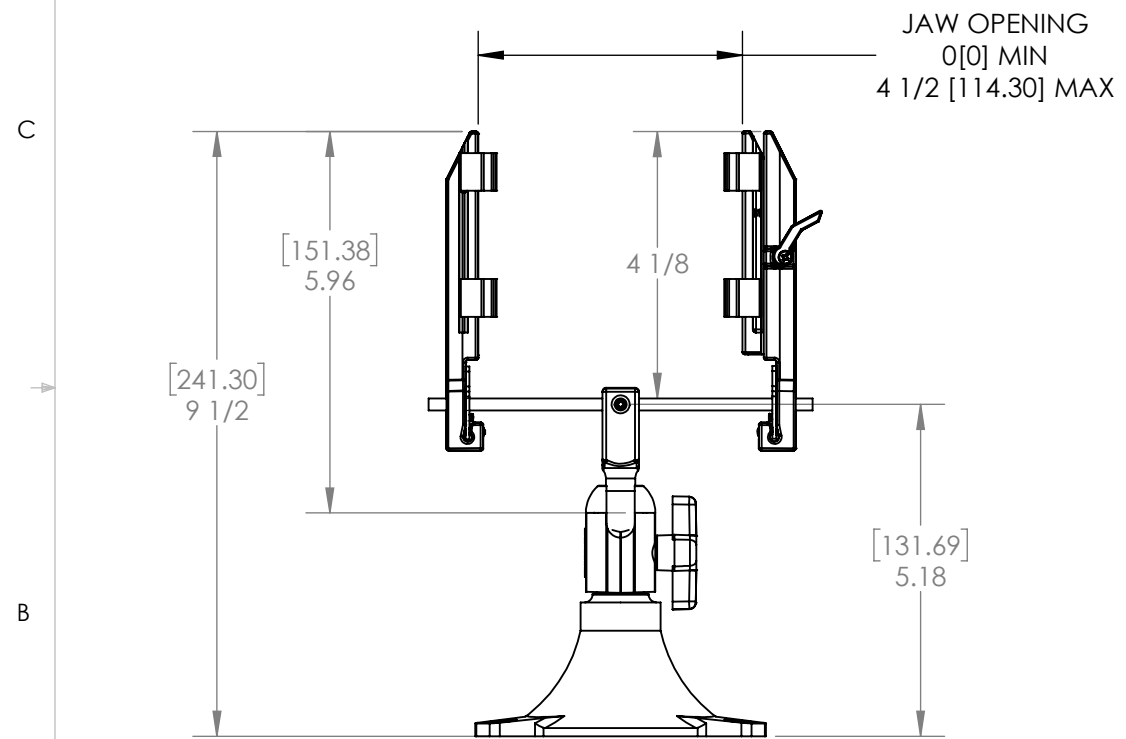


SPECIFICATIONS


OVERALL HEIGHT:9 1/2 [241.30]
 ROTATION:360 DEGREES
 SWIVEL:360 DEGREES
 PIVOT:210 DEGREES
 SHIPPING WEIGHT:1.2 POUNDS [.54KG]
 VISE OPENING:4 1/2 [114.30] MAXIMUM
 JAW HEIGHT:4 1/8 [104.78]

MATERIAL

1. VISE ARM PAIR ASSY: ALUMINUM #380 DIE CAST
2. BASE: #3 ZINC DIE CAST - SILVER PAINT
3. BALL JOINT KNUCKLES: #3 ZINC DIE CAST SILVER PAINT
4. KNOB: KNUCKLE ASSEMBLY ZINC DIE CAST PAINTED BLACK
1/4-28 X 7/8 STEEL SOCKET SCREW BLACK OXIDE
5. CROSS BAR: ZINC-PLATED STEEL
6. STANDOFFS: SILICONE RUBBER, BLACK, SHORE 80±5
7. BALL: PA6+30%GF-BLACK



PROPRIETARY AND CONFIDENTIAL
 THE INFORMATION CONTAINED IN THIS DRAWING IS THE SOLE PROPERTY OF PANAVISE PRODUCTS INC. ANY REPRODUCTION IN PART OR AS A WHOLE WITHOUT THE WRITTEN PERMISSION OF PANAVISE PRODUCTS INC IS PROHIBITED.

UNLESS OTHERWISE SPECIFIED:		NAME	DATE	 7540 Colbert Drive, Reno, Nevada 89511-1225 Phone (775) 850-2900 Fax (775) 850-2929 TITLE: MODEL 220 SPEC SHEET	
DIMENSIONS ARE IN INCHES		DRAWN	IM		062117
TOLERANCES:		CHECKED			
FRACTIONAL ±1/64		ENG APPR.			
ANGULAR: MACH ±1/2° BEND ±1°		MFG APPR.			
TWO PLACE DECIMAL ±01		Q.A.			
THREE PLACE DECIMAL ±.005		COMMENTS:			
INTERPRET GEOMETRIC TOLERANCING PER: ASME 14.5M -2009				SIZE DWG. NO. REV	
MATERIAL				B 220 SP A	
NEXT ASSY	USED ON	FINISH		SCALE: 1:5 WEIGHT: SHEET 1 OF 1	
APPLICATION		DO NOT SCALE DRAWING			

8 7 6 5 4 3 2 1